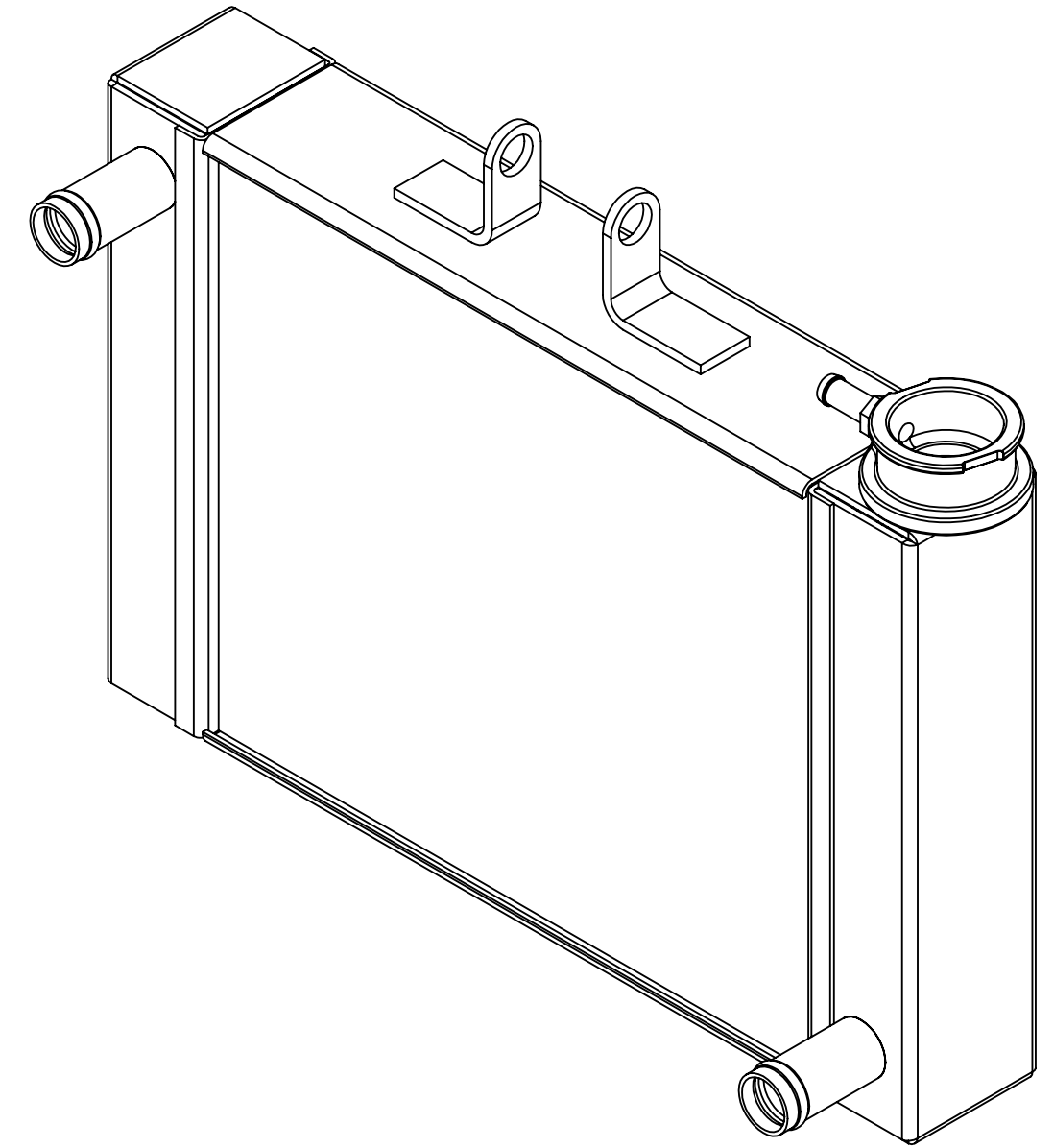
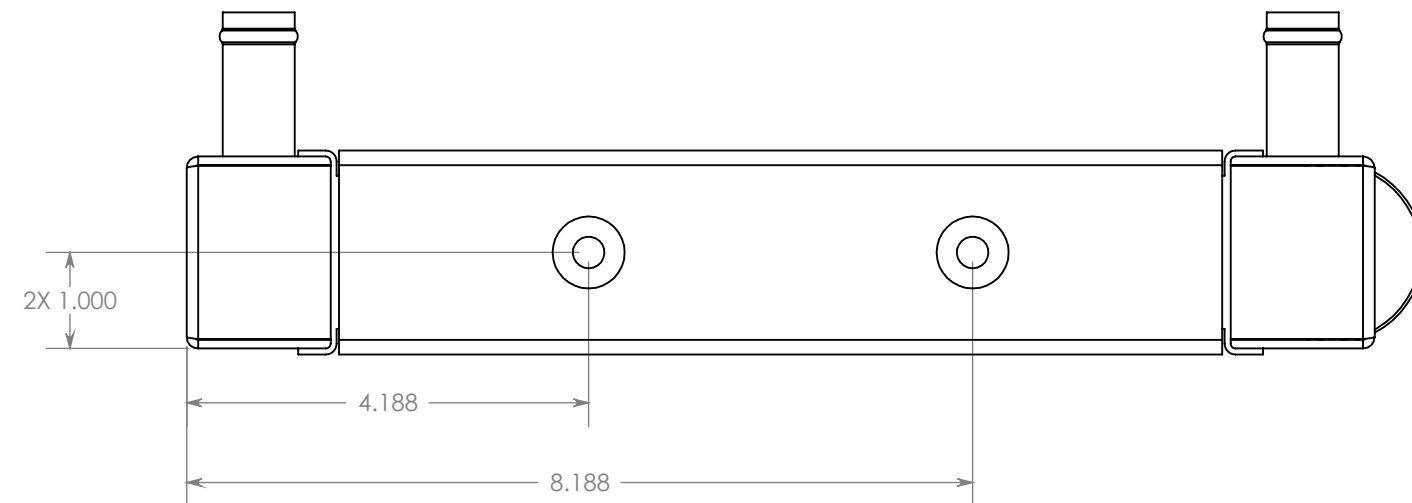
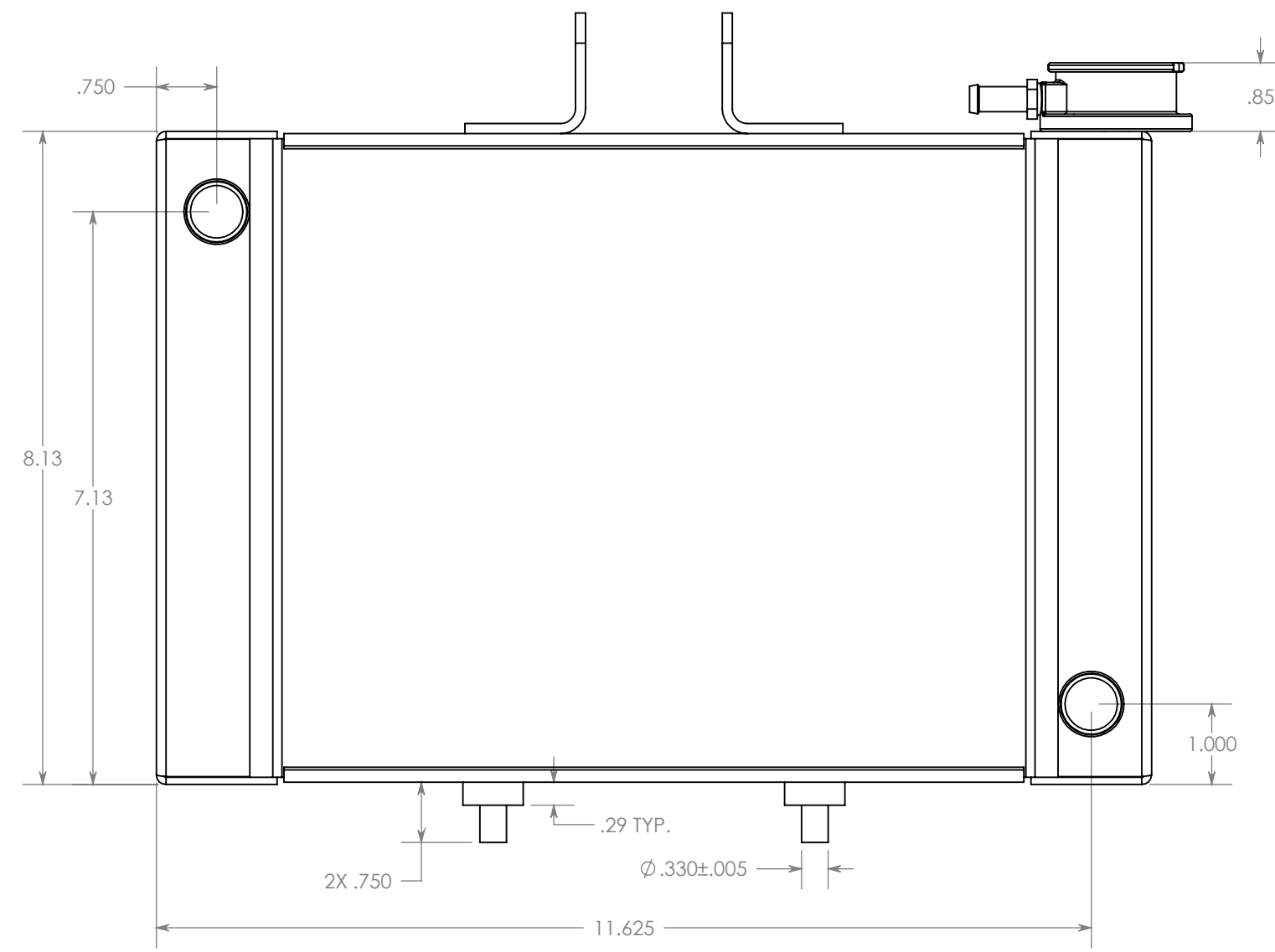
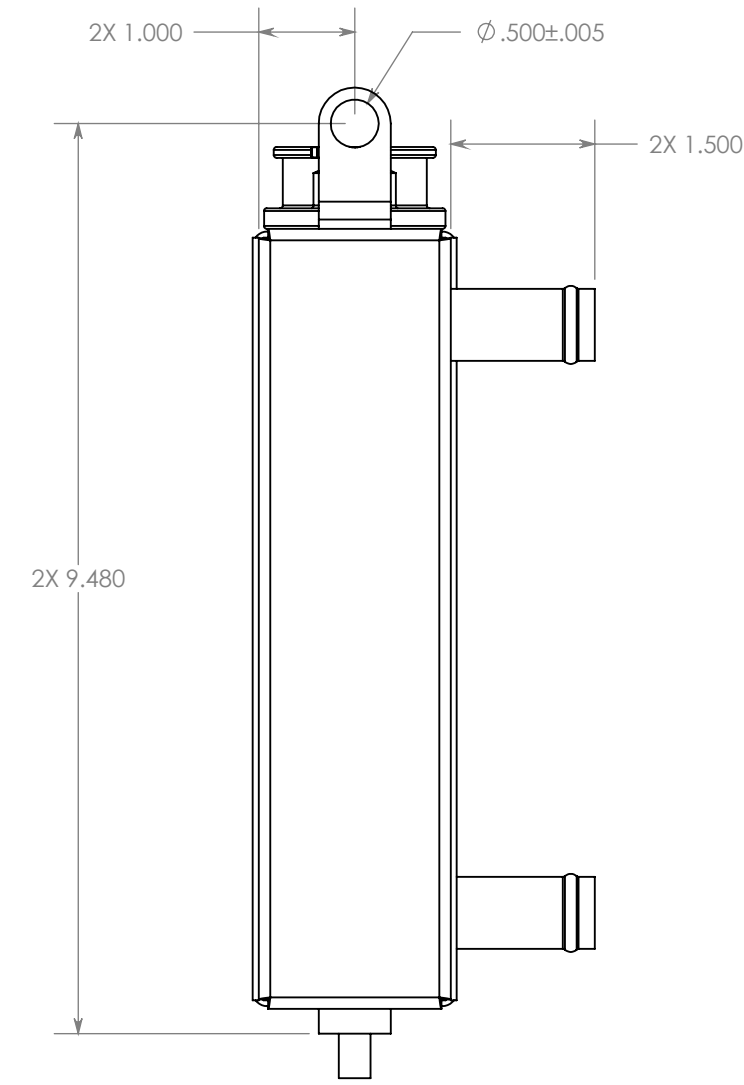
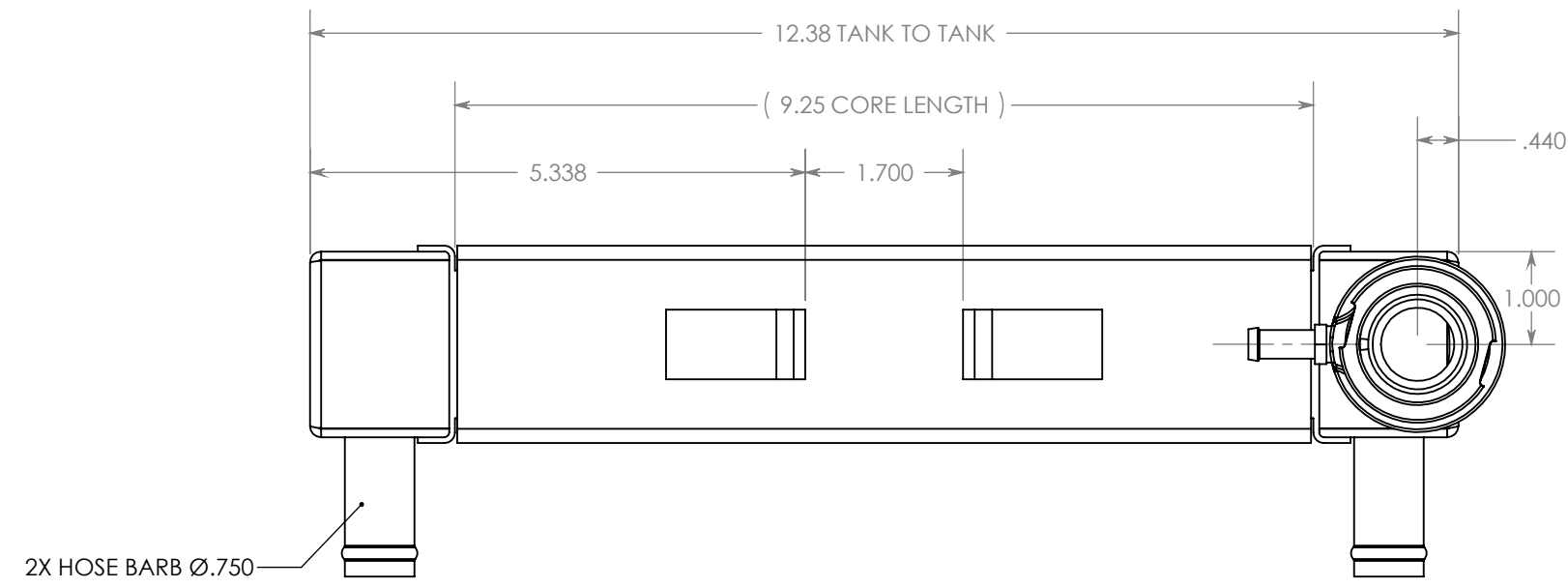


4

3

2

1



1 ROW, 38mm CORE

- NOTES:
- DATUMS AND DIMENSIONS DO NOT INCLUDE WELDS.
 - LEAK TEST AIR UNDER WATER AT 20 PSIG. NO VISIBLE BUBBLES PERMITTED.

UNLESS OTHERWISE SPECIFIED DIMENSIONS ARE IN INCHES. TOLERANCES ARE:		MODEL: FPS11-FLATTRACK		FPS Racing 4540 W.160TH CLEVELAND, OHIO 44135	
DECIMALS: .XXX = ± .06 .XX = ± .12	ANGLE: ± 1°	APPROVALS	DATE		
DO NOT SCALE DRAWING		DRAWN: P. JOHNSON	7/16/08	TITLE: UNIV. FLATTRACK RAD.	
This drawing contains designs and other information which are the property of FPS Racing. This drawing or any of the information contained in it may not be duplicated or disclosed or used for manufacturing of the part disclosed herein without the written permission of FPS Racing.		CHECKED:		MATERIAL: ALUMINUM	REV: X
SIZE: C	CUST./REF. #	FINISH: NONE	SCALE: NONE	DWG # 1015	SHEET 1 OF 1

4

3

2

1

DWG # 1015

A